

DHB Series

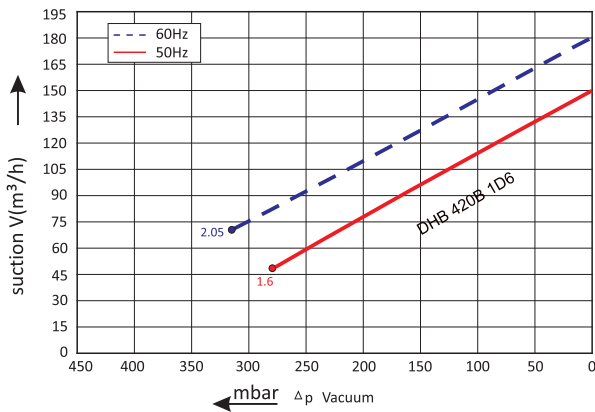
DHB 420B 1D6

Technical datasheet

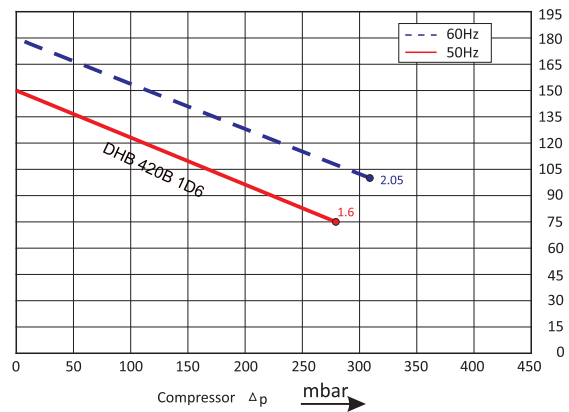


Dereike blower performance curves

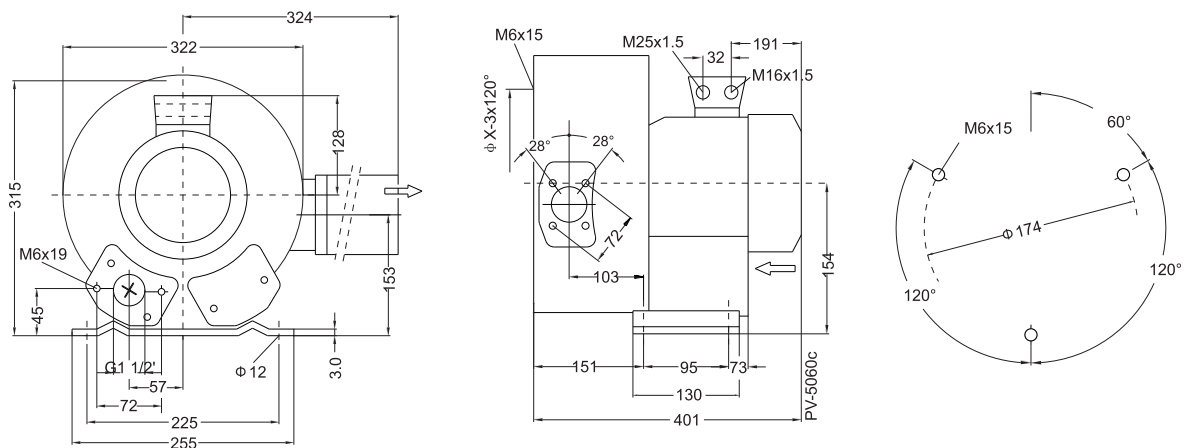
Vacuum selection diagram curve



Compressor selection diagram curve



Dereike blower installation drawing



Dereike blower installation parameter

| Model | Frequency | Output | Voltage | Current | Airflow | Pressure | | Noise | Weight |
|--------------|-----------|--------|-------------------|-----------|---------|----------------|--------------------|-------|--------|
| | | | | | | vacuum mbar | compressor mbar | | |
| DHB 420B 1D6 | 50 | 1.6 | 200-240△/345-415Y | 7.5△/4.3Y | 150 | -280 | 280 | 66 | 25 |
| | 60 | 2.05 | 220-275△/380-480Y | 7.6△/4.4Y | 180 | -320 | 310 | 69 | 25 |

The performance curves of Dereike blower is tested through below ways:

Under one atmospheric pressure, suck 15°C air and then you can calculate the data, of course allow 10% difference, and when the sucked air and surroundings temperature are not higher than 25°C, you still can get total pressure difference as the curves shows.