

# DHB Series

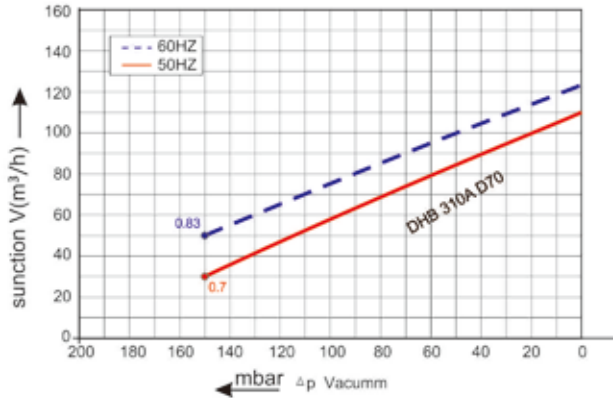
## DHB 310A D70

Technical datasheet

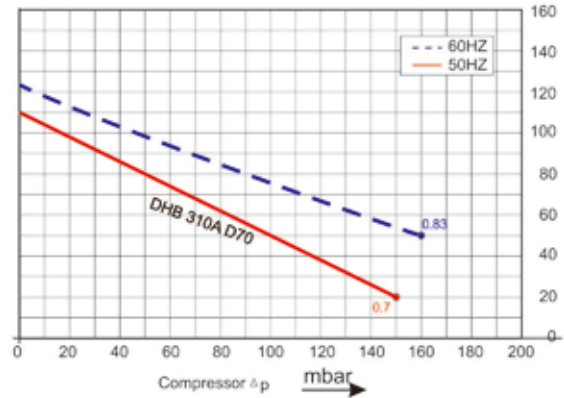


### Dereike blower performance curves

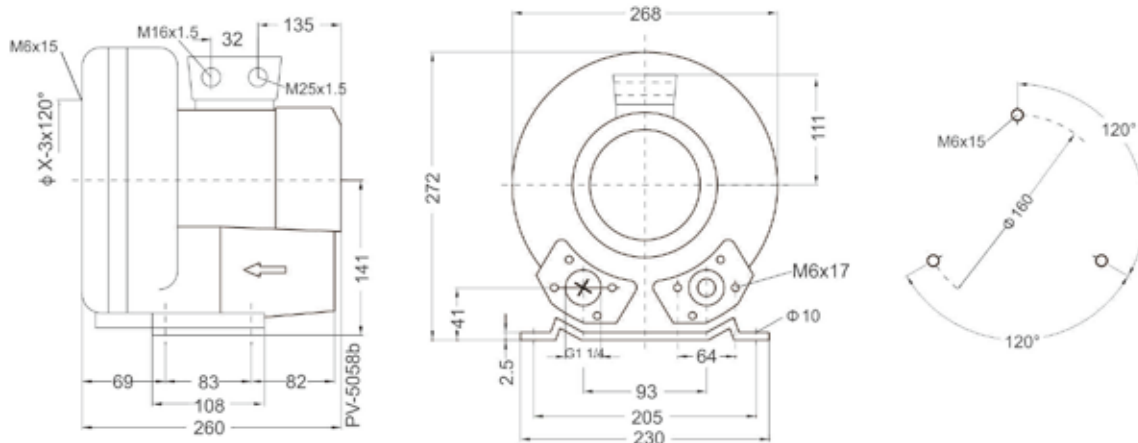
#### Vacuum selection diagram curve



#### Compressor selection diagram curve



### Dereike blower installation drawing



### Dereike blower parameter

Model	Frequency	Output	Voltage	Current	Airflow	Pressure		Noise	Weight
						vacuum mbar	compressor mbar		
	HZ	KW	V	A	m³/h			dB(A)	
DHB 310A D70	50	0.7	200-240△	4.8△	100	-150	150	55	14
	60	0.83	220-275△	4.1△	120	-150	160	57	14

The performance curves of Dereike blower is tested through below ways:

Under one atmospheric pressure, suck 15°C air and then you can calculate the data, of course allow 10% difference, and when the sucked air and surroundings temperature are not higher than 25°C, you still can get total pressure difference as the curves shows.